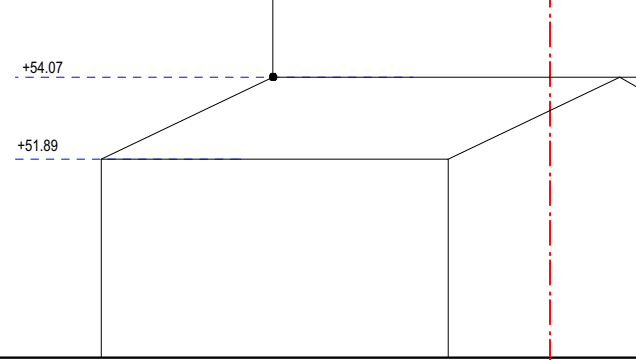
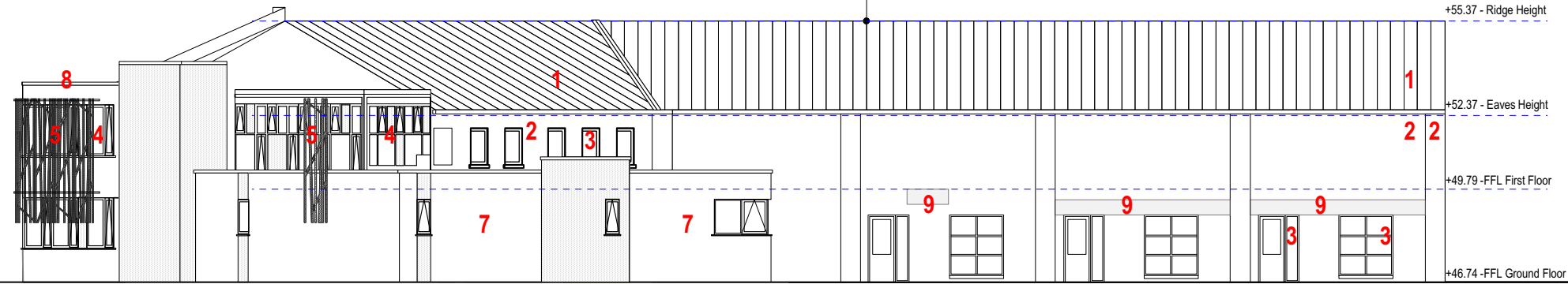


Site Boundary

Site Boundary

Existing Building-The Hive

Outline of neighbouring building



g Existing Green Space
th facing N4 Road

Existing The Hive Building

Existing Footpath

Existing Car Park (at front)

Existing Road Accessing Car Park

Existing car Park

Existi Nei

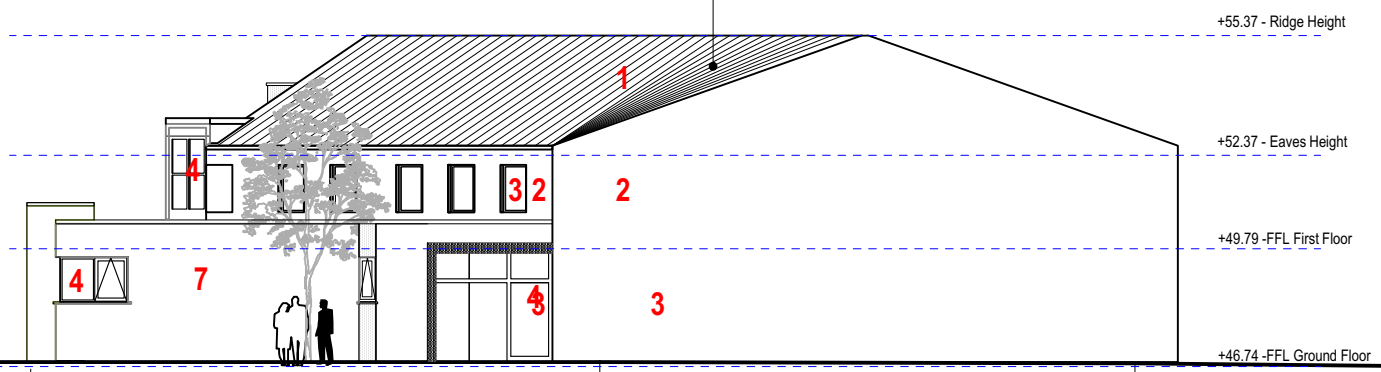
SITE



01
031
EXISTING ELEVATION AA

Existing Building-The Hive

Site Boundary



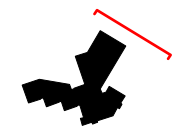
DUBLIN ROAD (N4)

Existing The Hive

Existing car Park

LEGEND

- 1** Existing insulated metal roof
- 2** Existing exposed block finish
- 3** Existing door/window - pvc type
- 4** Existing door/window - Alud Cad Type
- 5** Existing louvre/shading system
- 6** Existing chimney ventilation stacks
- 7** Existing render finish
- 8** Existing flat roof finish type
- 9** Existing signage



02
031
EXISTING ELEVATION BB

For
LEITRIM COUNTY ENTERPRISE FUND

In Partnership with
**Comhairle Chontae Liatroma
Leitrim County Council**

REVISION	DATE	DESCRIPTION

NOTES

levels All levels and dimensions to be checked onsite. Any discrepancies to be reported to Cooney Architects. Do not scale off this drawing. Use figured dimensions only.

This drawing is to be read in conjunction with all other relevant Engineering and Architectural drawings and specifications. General structure only. To be cross referenced with all associated Engineers drawings.

copyright This drawing and design is copyright, and may not be reproduced without Cooney Architects permission.

DESIGN TEAM

PLANNING

Cooney Architects

project title Proposed extension to The Hive
client Carrick On Shannon, Co Leitrim
Leitrim County Enterprise Fund

drawing no. 19021 PP-031 rev
drawing title Existing Elevations 02

drawn by LG
checked by FC

scale 1:100 @ ISO A1
1:200 @ ISO A3
date Mar 2020

The Old Brewers Club
22 The Cooness, Dublin 8
T 01 4533 444 F 01 4533 445